

Product sheet

Mup open cabinet

Product code 490

Mup range

Designed by Pirkko Stenros, 1999



www.muurame.com

Measurements and weight

- external dimensions of product (WxDxH) 78 x 39 x 82.5 cm
- internal dimensions of product 74.4 x 37.3 x 77.7 cm
- external pack measurements 81 x 46 x 86 cm
- product weight/gross volume 23.1 kg/0.32 m³

Add-ons and extras:

- door, framed door, glass door, patterned glass door
- shelf
- base 5, 10 and 12.7 cm
- bottom plate 3 cm
- flat legs 15 cm
- diagonal legs 15 or 28 cm
- rear cable outlets
- wall fittings
- Abloy lock
- protective glass covers

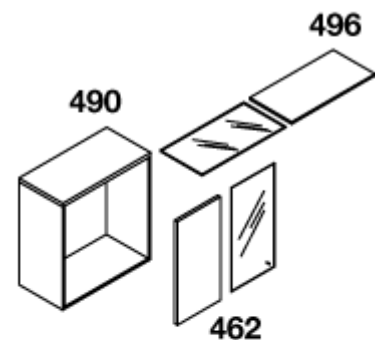
Features

- part of the Mup range launched in 1999
- price includes assembly in the factory
- used, e.g. as part of a wardrobe or home office
- when used on the floor a base or a leg system is required between the floor and the cabinet to adjust the height to the desired purpose required and to suit your interior design. Can also be wall mounted.
- can be combined side by side or on top of other Mup drawer units and cabinets
- the rear edge of the base is indented such that the cabinet can be attached to the wall despite the leg frame (choose a base of a suitable height)

Color options

- white, white frame/glossy white top
- doors: white, black, glossy white, clear glass, frost glass, patterned glass, frame/acrylic doors (9 colors)
- shelf: white, glass
- bases and bottom plate: white
- flat legs and Tele legs: matte silver
- diagonal legs: white or copper

- *Note! Equipment placed on top of the furniture (e.g. TVs) with plastic/rubber studs (especially natural rubber) should have the studs replaced with felt pads or other material which won't stain as the temperature of the equipment may cause the plastic to "melt" onto the surface of the furniture causing a permanent mark.*



860
870
871
835
911
911CHR/SIL

